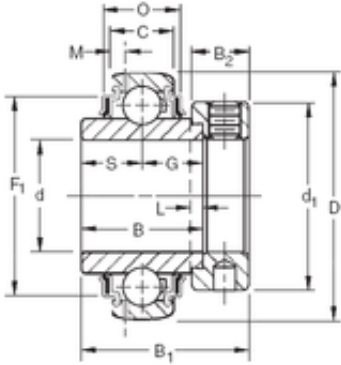




TIMKEN FORGE OF AMERICA BEARING CORP.

42,8625 mm x 100 mm x 42,86 mm TIMKEN GN111KRRB Insert Bearings Spherical OD



Bearing No. GN111KRRB

Size	42.8625x100x42.86 mm
Bore Diameter	42,8625 mm
Outer Diameter	100 mm
Width	42,86 mm
d	42,8625 mm
D	100 mm
B	42,86 mm
C	27 mm
P	28,52 mm
O	82,58 mm
d1	69,9 mm
B1	5 mm
B2	20,6 mm
G	23 mm
L	4,8 mm
S	19,8 mm
F1	58,7 mm
Weight	1,456 Kg
Basic dynamic load rating (C)	58,5 kN

GN111KRRB Bearing 2D drawings and 3D CAD models