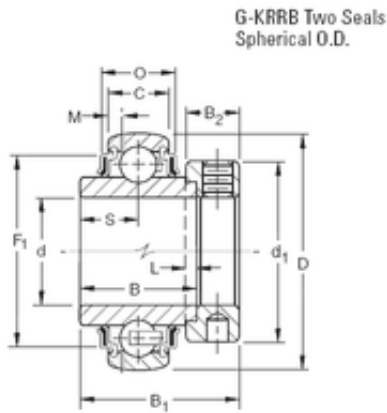




TIMKEN FORGE OF AMERICA BEARING CORP.



19.05 mm x 47 mm x 34,13 mm TIMKEN G1012KRRB Insert Bearings Spherical OD

Bearing No. G1012KRRB

Size	19.05x47x34.13 mm
Bore Diameter	19.05 mm
Outer Diameter	47 mm
Width	34,13 mm
d	19.05 mm
D	47 mm
B	34,13 mm
C	14 mm
P	17,3 mm
O	38,91 mm
d1	33,3 mm
B1	3,43 mm
B2	13,5 mm
L	4 mm
S	17,1 mm
F1	43,7 mm
Weight	0,204 Kg
Basic dynamic load rating (C)	14,3 kN

G1012KRRB Bearing 2D drawings and 3D CAD models